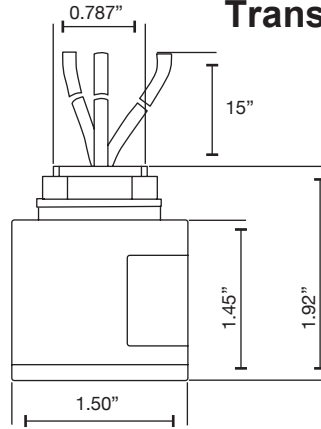


Surge Protection Device (SPD)

Transient Voltage Surge Suppressor (TVSS)



Single Pole
VA1S-50-4XP, VA4S-50-4XP, VA5S-50-4XP

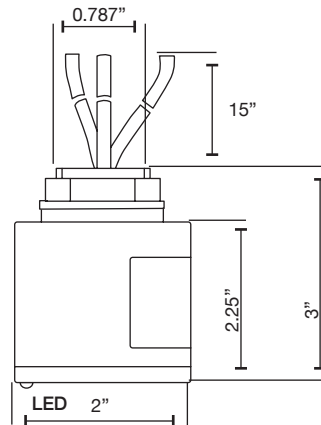


Features

- I_{max}: 50 kA per Phase
- I_n: 10 kA
- Small footprint
- Thermally fused metal oxide varistor suppression with added gas-tube technology
- LED diagnostic indicator
- Nipple mount or bracket mount installation
- Single pole is a UL recognized component
- Double pole is a UL 1449 5th edition listed component
- NEMA 4X indoor/outdoor enclosure
- 25 year warranty



Double Pole
VA1-50-4XP



	XS1-50-4XP	XS1-50-4XP	XS1-50-4XP	XS1-50-4XP
System Voltage	120 VAC	240-277 VAC	480 VAC	120/240 & 120 VAC 1-Phase
Maximum Continuous Voltage (MCOV)	150 VAC L-G, L-N, N-G	320 VAC L-G, L-N, N-G	550 VAC L-G, L-N, N-G	150 VAC L-G, 300 L-L
Nominal Discharge Current (In)	10kA			
Maximum Discharge Current (I_{max})	50kA Per Phase			
Voltage Protection Rating (VPR)	800 VAC L-G, L-N, N-G	1200 VAC L-G, L-N, N-G	1500 VAC L-G, L-N, N-G	800 VAC L-G, 1200 L-L
Short Circuit Current Rating (SCCR)	100kA			
Suppression Technology	Thermally Fused MOV/Gas Discharge Tube			
Operating Temperature	-40 to +85°C			
Housing-Enclosure Material	Molded Sealed Polycarbonate			
Mounting Type	Nipple or Bracket Mounting			
Environmental Rating	NEMA 4X / IP65 - Indoor/Outdoor			
Connection Type	Lead Length: 15" / #14 AWG			
Standards, Compliance or Recognition	UL Recognized Component to US and Canadian Safety Standards			UL 1449 5th Edition Type 1 Listed, UL Listed to US and Canadian Safety Standards