

**Surge Protection Device (SPD)**

**Transient Voltage Surge Suppressor (TVSS)**



**XV2**  
**Single-Phase**  
**& Three Phase**

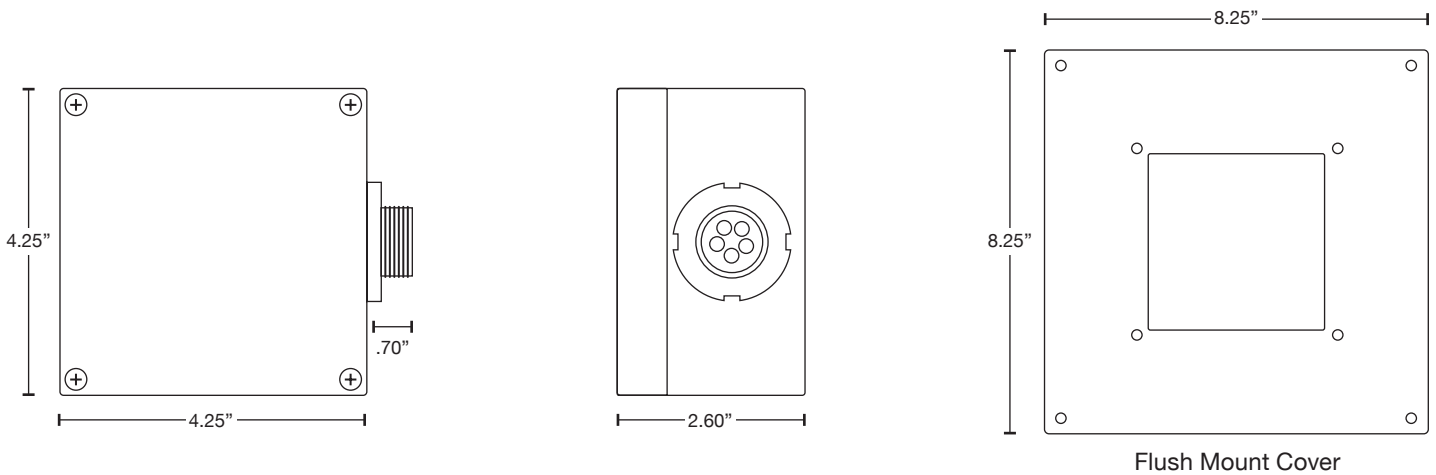
**Features**

- UL 1449 5th edition Type 1 UL/cUL listed
- I<sub>max</sub>: 120 kA per phase
- Thermally fused metal oxide varistor suppression with added gas-tube technology
- LED indicator and audible alarm
- NEMA 4X (IP65/IP66) indoor/outdoor rated enclosure
- In: 20 kA
- EMI/RFI noise filtration (-40db)
- Repositionable lid allows for label orientation
- Short circuit current rating (SCCR) 200 kAIC
- Lead length: 36" / #10 AWG
- Meets UL 96A lightning protection master label
- Single phase - Lifetime Warranty
- Three phase - 25 years

**Available Options**

- Mounting bracket available to allow installation inside of electrical panel
- Flush mount cover

**Dimensions**



Flush Mount Cover

208V - 38kV Switchgear, Switchboards, & Compact Solutions • Generator & Load Bank Quick Connection  
 Paralleling, Transfer, Peak Shaving, Indoor/Outdoor Walk-In, & Skid-Mounted Solutions • Grounding Systems  
 Utility • Microgrids • Data Centers • Healthcare • Farming • Solar • Treatment Plants • Education • Manufacturing



Surge Protection Device (SPD)

Transient Voltage Surge Suppressor (TVSS)

Part Number Breakdown

XV2-(X)-120-4XM

- **Surge Rating: 120** =120 kA/phase
- **Voltage Identifier: 1**=120/240 single phase, **2**=120/208 3-phase Wye, **3**=120/120/240 3-phase Hi-Leg Delta, **4**=277/480 3-phase Wye, **5**=480 3-phase Delta, **6**=347/600 3-phase Wye, **7**=600 3-phase Delta, **8**=220/380 3-phase Wye, **9**=240 3-phase Delta

Specifications

Description			XV2-GEN	XV2-1	XV2-2	XV2-3	XV2-4	XV2-5	XV2-6	XV2-7	XV2-8	XV2-9	
System Voltage	VAC		120/240	120/240	120/208	120/120/240	277/480	480	347/600	600	220/380	240	
System Wiring			3W+G (Single Phase)	3W+G (Single Phase)	4W+G (3-Phase Wye)	4W+G (3-Phase Hi-Leg Delta)	4W+G (3-Phase Wye)	3W+G (3-Phase Delta)	4W+G (3-Phase Wye)	3W+G (3-Phase Delta)	4W+G (3-Phase Wye)	3W+G (3-Phase Delta)	
Maximum Operating Voltage	MCOV	L-N	150	150	150	150/300	320	N/A	550	N/A	320	N/A	
		N-G	150	150	150	150/300	320	N/A	550	N/A	320	N/A	
		L-G	150	150	150	150	320	550	550	750	320	320	
		L-L	300	300	300	300/300	520	550	750	750	550	640	
Voltage Protection Rating	VPR	L-N	700	700	700	700/1,200	1,200	N/A	1,800	N/A	1,200	N/A	
		N-G	700	700	700	700/1,200	1,000	N/A	1,800	N/A	1,200	N/A	
		L-G	700	700	700	700/1,200	1,200	1,800	1,800	1,800	1,000	1,200	
		L-L	1,000	1,000	1,000	1,800/1,800	2,500	3,000	3,000	2,000	1,800	1,800	
Operating Current	Ic	<10 mA	<10 mA	<10 mA	<30 mA	<10 mA	<30 mA	<10 mA	<30 mA	<10 mA	<30 mA		
Follow Current	If											None	
Maximum Leakage Current	Ipe												1 mA
Frequency	f												50/60/400 Hz
Nominal Discharge Current Per Mode	In (8/20 μs)												20 kA
Maximum Discharge Current Per Phase	I <sub>max</sub> (8/20 μs)												120 kA per Phase
Short Circuit Current Rating	SCCR												200 kA
Standard's Compliance or Recognition													UL 1449 5th Edition Type 1 Listed, cUL Listed
EMI/RFI Filtering													1283 Electromagnetic Interference Filter (-40 dB)
Thermal Disconnecter													Internal to Each Component
Overload Disconnecter													Internal to Each Device
Failure Indicators													LED & Audible Alarm
Operating Temperature													-40 to +185°F (-40 to +85°C)
Housing-Enclosure Material													NEMA 4X Aluminum
Mounting Type													Nipple/Wall Mounting --- Bracket Mount (Not Included) or Flush Mount (Cover Not Included)
Environmental Rating													NEMA 4, IP65, IP66
Installation Location													Indoor/Outdoor

208V - 38kV Switchgear, Switchboards, & Compact Solutions • Generator & Load Bank Quick Connection  
Paralleling, Transfer, Peak Shaving, Indoor/Outdoor Walk-In, & Skid-Mounted Solutions • Grounding Systems  
Utility • Microgrids • Data Centers • Healthcare • Farming • Solar • Treatment Plants • Education • Manufacturing